



A division of ROSCO

www.gamonline.com

GAMTORCH

GAM Product #RFRF777

Rosco Product #854 07777 0000



PRODUCT DESCRIPTION

- GAMTorch™, the RealFlame Torch for your productions
- Tested and proven in hundreds of stage performances and outdoor spectacles
- Produces 16 inches of real flame from solid GAMFuel™ pellets
- Virtually smokeless and odorless, GAMTorch™ is non-toxic and clean burning
- A real flame source that is environmentally safe

The automatic safety release latch will instantly snuff out the flame when the performers release their grip on the handle. Load one to four GAMFuel pellets into the fire chamber, depending on the size of flame you desire. Four GAMFuel™ pellets will give you about 15 minutes of a 16 inch flame. The clean burning pellets leave at most no residue.



Patent # 6,398,545

PRODUCT SPECIFICATIONS

Length:	21.5 in (546.1 mm)
Width:	1.78 in. (45.21 mm)
Weight:	2 lbs 8oz. (1.13 kgs)
Housing:	16 gauge steel tubing
Finish:	Hi-temp matte black paint

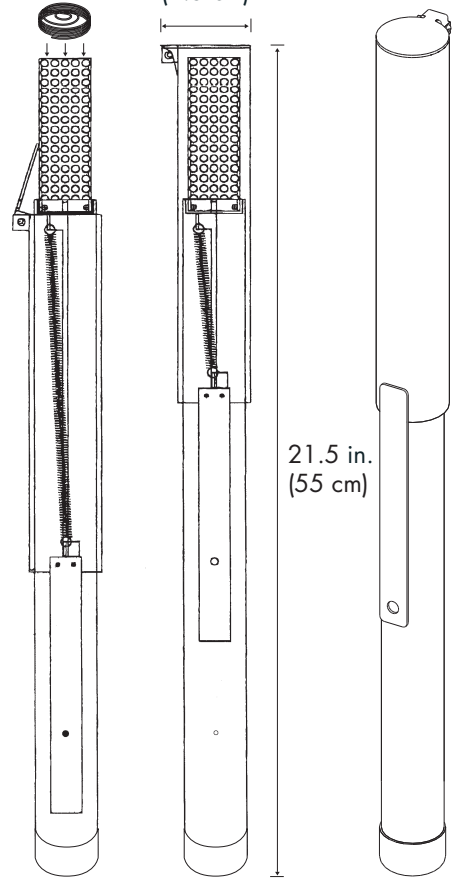
PRODUCT NUMBER

- 1 854 0777 70000 / RFRF777 GAMTorch - Hand Held
- 2 854 07RF 17200 / ZPRF172 Torch Hold down Screw
- 3 854 07RF 17600 / ZPRF176 Torch Lid
- 4 854 07RF 17000 / ZPRF170 Chamber
- 5 854 07RF 17700 / ZPRF177 Torch Lid Screw
- 6 854 07RF 17800 / ZPRF178 Torch Lid Nut' Nylon Locking
- 7 854 07RF 16100 / ZPRF161 Cap Closing Spring
- 8 854 07RF 17100 / ZPRF171 Chamber Screw
- 9 854 07RF 18000 / ZPRF180 Torch End Rubber Cap
- 10 854 07RF 16000 / ZPRF160 Torch Closing Spring
- 11 854 07RF 17400 / ZPRF174 Chamber Safety Screw
- 12 854 07RF 15000 / ZPRF150 Fuel Retaining Spring

- 854 0779 90024 / RFRF24 GAMTorch Fuel Pellets (Tray of 24)
- 854 0779 90624 / RFRF6-24 GAMTorch Fuel Pellets Carton (6Trays of 24)
- 854 0779 91424 / RFRF14-24 GAMTorch Fuel Pellets Carton (14 Trays of 24)
- 854 07HA ZPL2G / ZPRFHAZPAIL2GAL 2 Gallon Hazmat Shipping Pail
- 854 07HZ LID2G / ZPRFHAZLID2GAL 2 Gallon Hazmat Shipping Lid
- 854 07RF 19000 / ZPRF190 GAM Torch Safety Label

RETAINING SPRING

1.78 in.
(4.5 cm)

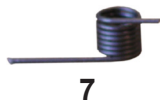


OPEN POSITION

CLOSED POSITION



5



7



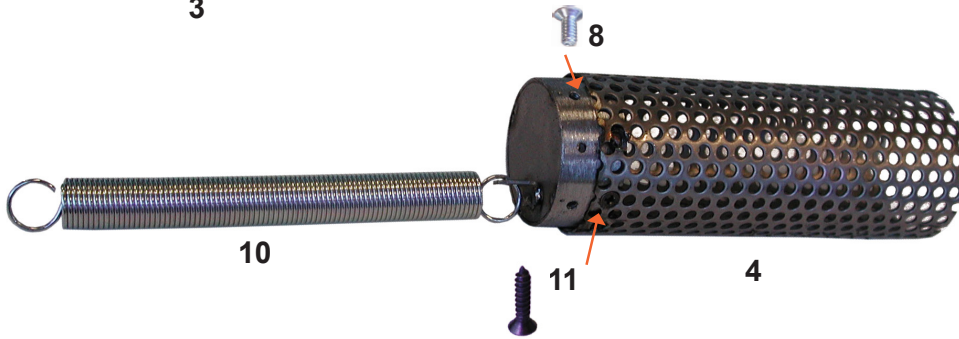
6



9



3



10

8

11

4

12



1

2
↓

